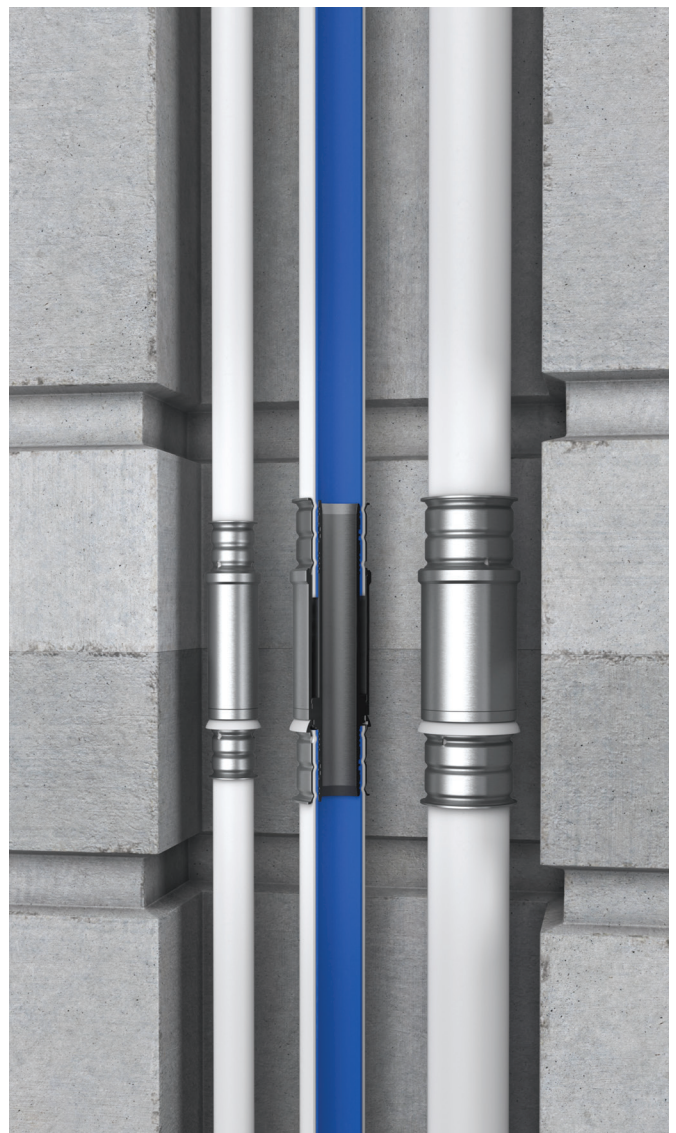
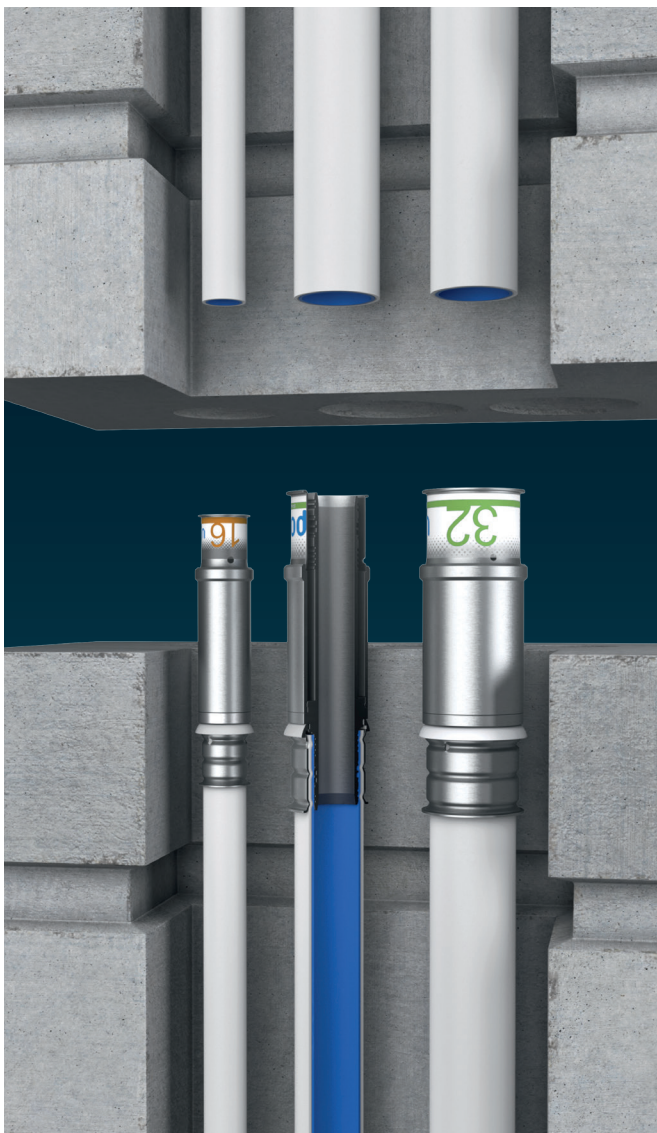


New

Uponor S-Press PLUS Sliding Coupling dim. 16–40

Due to adjustable distance by up to 50 mm, Uponor S-Press PLUS sliding coupling allows easily to connect fixed Uponor MLC pipes. Length tolerances inside the installation of prefabricated riser blocks and the installation at the construction site can be easily compensated and safely ensured with the Uponor S-Press PLUS technology. With the Uponor S-Press PLUS and Uni Pipe PLUS design it is to insert the pipe without any big forces. Also small axial displacements could be fixed by easy bending of the Uni Pipe PLUS pipe.

Optimal connection between prefabricated riser blocks at the construction site

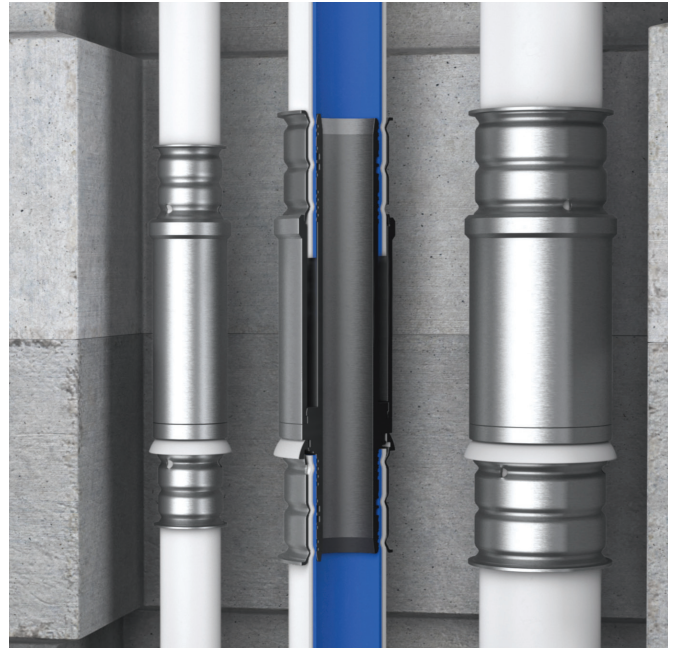


Technical specifications

- The brass alloy used for S-Press PLUS sliding coupling is an innovative dezincification resistance material, that is included in the positive list of materials in contact with drinking water for the 4 MS and UBA.
- No evidence of corrosion even in aggressive environment.
- The product is available in dimension from 16 to 40 mm.

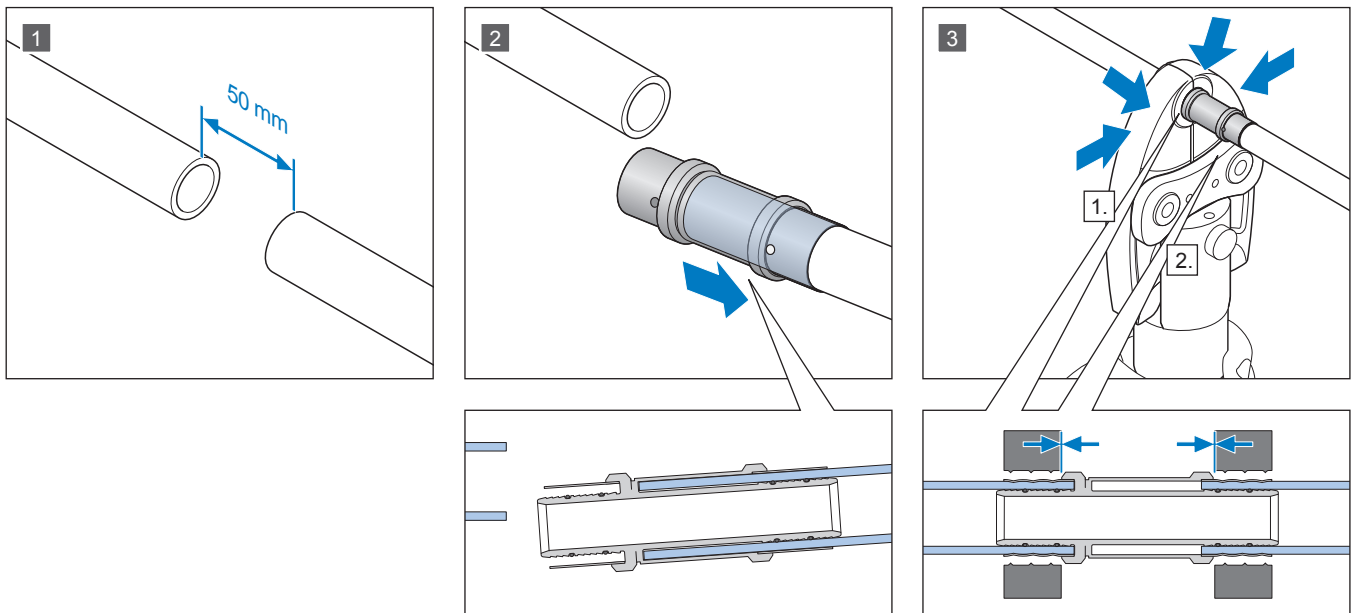
Includes innovative S-Press PLUS features

- Uponor innovative 3-step installation
- Colour coding
- Precise jaw fixation
- Uponor unique press indicator
- Accurate test safety function
- Fully compatible with Uponor composite pipes and existing Uponor jaws



Easy repairing of construction damages

The sliding coupling seals line breaks, drilled pipes or structural damage in need of refurbishment in an uncomplicated and reliable way. Fittings and fittings such as T-pieces can also be easily installed in the pipeline by installer using the sliding coupling.



Uponor Corporation

Äyritie 20, 01510 Vantaa, Finland

T +358 (0)20 129 211

F +358 (0)20 129 2841

1120088 – 12/2020 – EN



www.uponor.com